

VARIO-QUATTRO

The foldable Girder Column Formwork
for cross-sections up to 120 x 120 cm



PERI VARIO-QUATTRO

The foldable GT 24 Girder Column Formwork for cross-sections up to 120 x 120 cm

The VARIO-QUATTRO system can be moved as complete units in one crane lift. All four side elements are connected to each other as hinged sections.

Column cross-sections

Rectangular or square cross-sections of 20 x 20 cm up to 120 x 120 cm are formed in 5 cm increments.

Less crane time

VARIO-QUATTRO is moved as a complete unit including push-pull props, concreting platforms and access ladders. This results in valuable time-savings.

Exceptional concrete surface quality

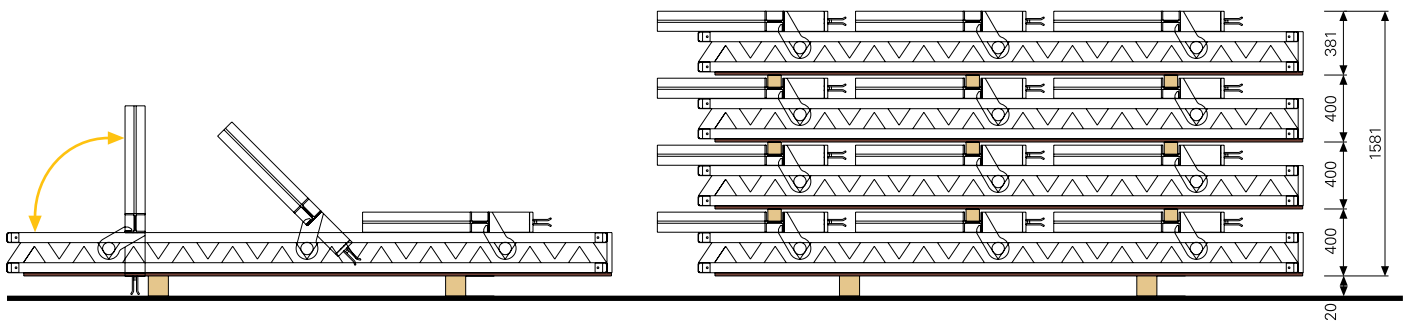
Excellent architectural concrete finishes can be achieved using the proven VARIO GT 24 system together with high quality Fin-Ply 21 mm formlining. Sharp and chamfered edges can be formed.

Permissible fresh concrete pressure

The VARIO-QUATTRO is designed for a fresh concrete pressure of 100 kN/m². This allows fast concreting to take place.

Efficient transportation

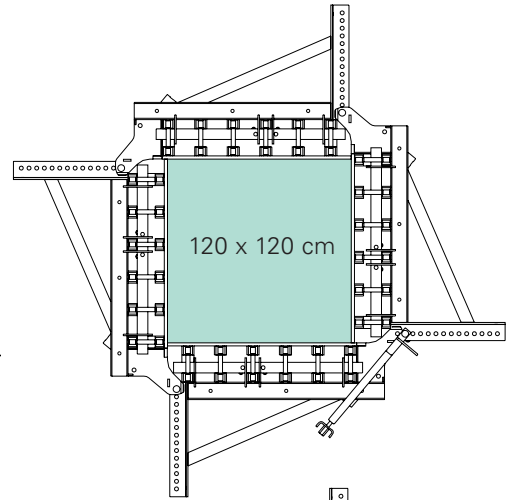
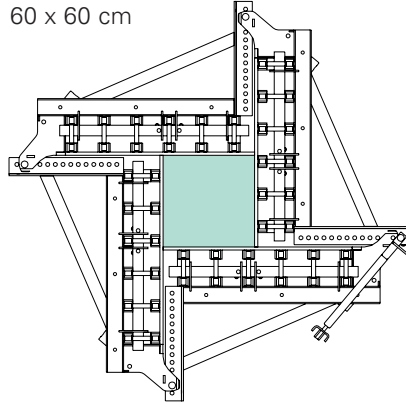
The hinged waler design ensures that the VARIO-QUATTRO units can be efficiently stored and transported – saving space and costs.



With only two different walers, any cross-section from 20 x 20 cm up to 120 x 120 cm can be formed.

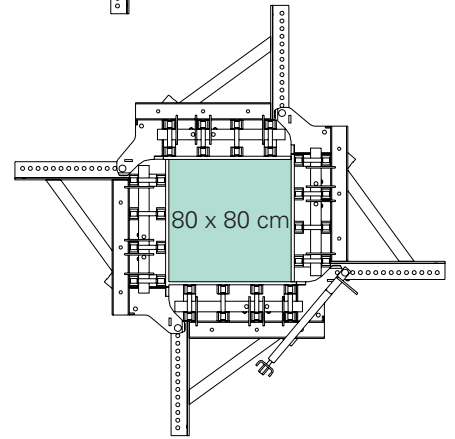
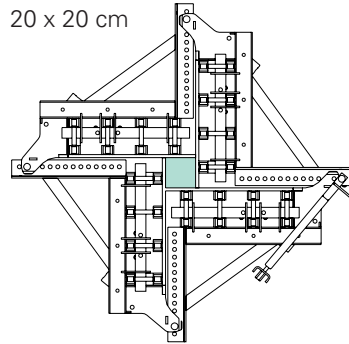
Waler VQ 60 - 120
For column cross-sections from 60 x 60 cm to 120 x 120 cm.

60 x 60 cm



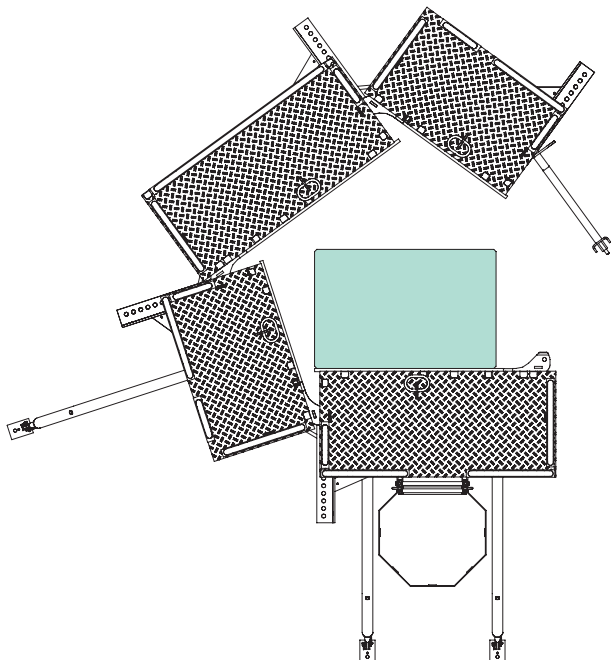
Waler VQ 20 - 80
For column cross-sections from 20 x 20 cm to 80 x 80 cm.

20 x 20 cm

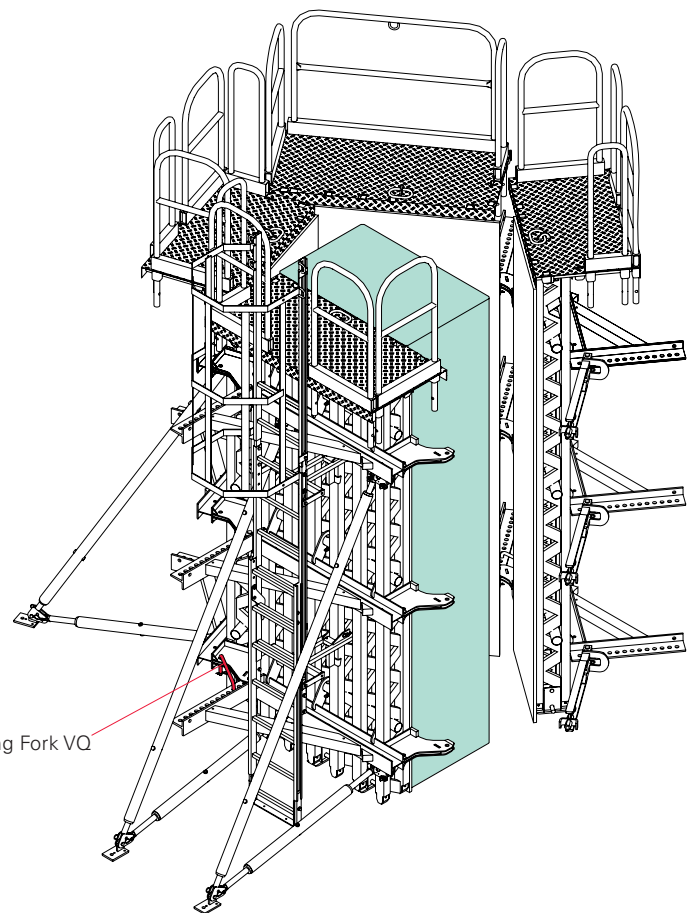


Fast and simple striking

The column formwork elements are easily opened by means of the hinged walers. No loose components. This minimizes shuttering and striking times as well as increasing productivity.

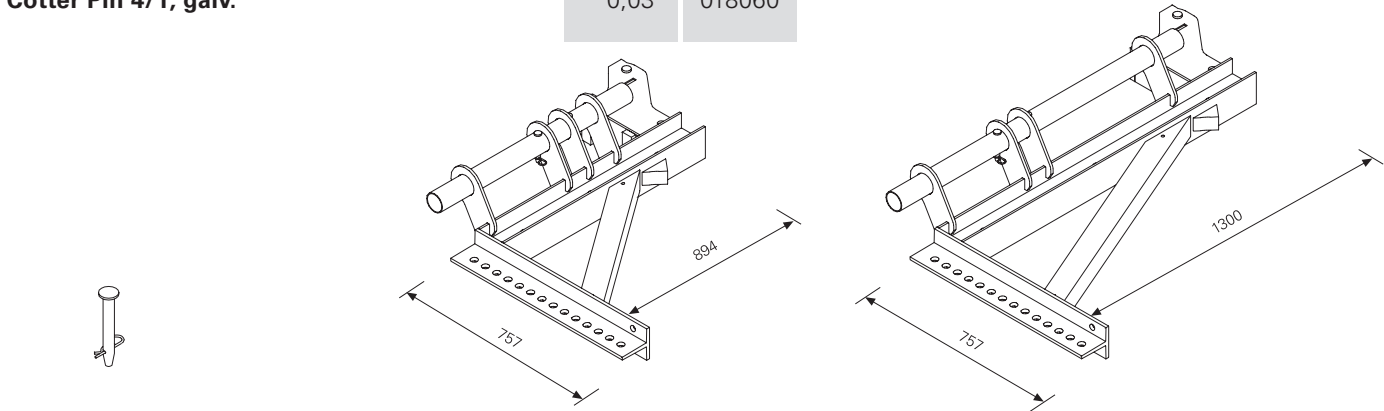


Positioning Fork VQ



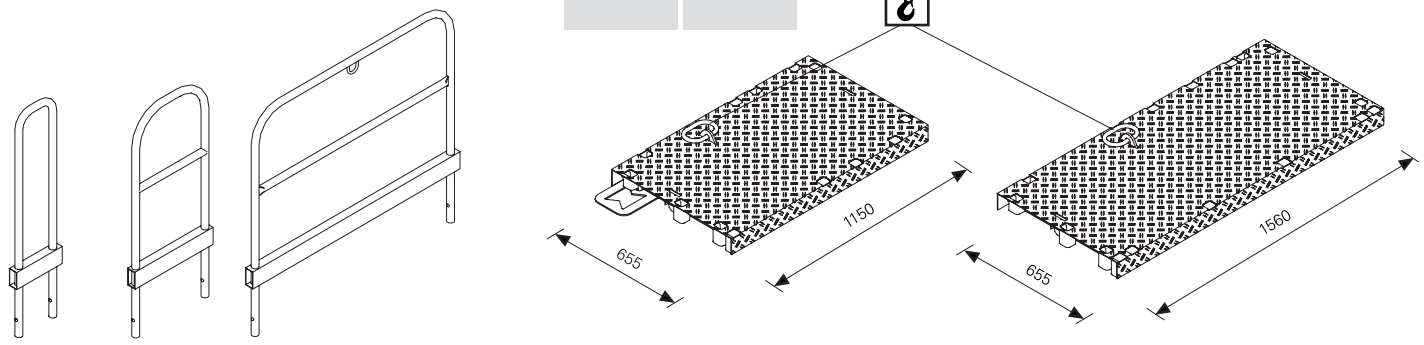
VARIO-QUATTRO Components

	Weight kg	Item no.
Waler VQ 60 - 120	82,30	107091
Waler VQ 20 - 80	68,00	107092
Pin ø 25 x 200, galv.	0,95	106772
Cotter Pin 4/1, galv.	0,03	018060



Frame Spanner VQ	20,60	106604
Positioning Fork VQ	1,89	107824

Concreting Platform VQ 1.50 m, 60"	87,70	106768
Concreting Platform VQ 1.10 m, 45"	73,70	106769
Platform Guardrail 23, galv.	7,50	107246
Platform Guardrail 52, galv.	10,80	037420
Platform Guardrail 134, galv.	18,40	037430



Ladder 180/6, galv.	7,15	051410
Access Ladder 180/2, galv.	2,36	051460
Ladder Safety Cage 150, galv.	25,20	051450
Ladder Safety Cage 75, galv.	15,50	104132
Ladder Connector VQ, galv.	7,80	106770

